

COMMERCIAL HOT WATER SYSTEM FOR TODAY & TOMORROW

ECONOPAK Features

- All Non-ferrous Waterways
- Factory mounted and wired stainless steel pump (Piping by others)
- High Efficiency - Up to 82% thermal efficiency
- Six models available:
90,000 to 399,000 BTU per Hour Input
- Super Fast Recovery - Consistent 140°F water delivery, even during peak demand times
- Long Service Life (Four times longer than average tank-type heaters)
- Compact - Fits in small equipment rooms
- Backed by a twenty-year limited warranty
- Federal S3874 and California AB1953
CSA certified for low lead compliance



HOTEL / MOTEL



MULTI FAMILY



RESTAURANT



COMMERCIAL LAUNDRY

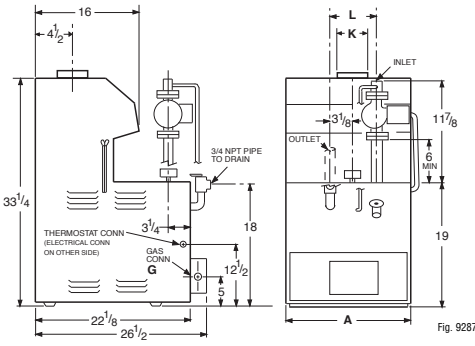


NURSING HOME



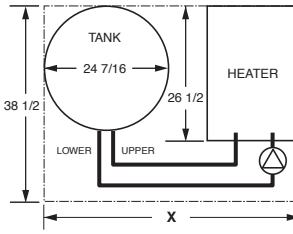
ECONOPAK™ - COMMERCIAL HOT WATER SYSTEM

MODELS WH-90, WH-135, WH-195



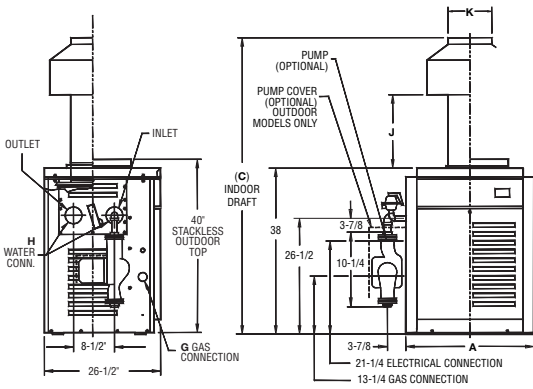
Drawing 1

All dimensions are in inches.



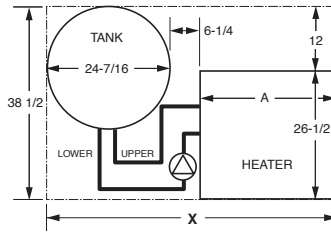
Drawing 1A-Footprint

MODELS WH-260, WH-330, WH-400



Drawing 2

All dimensions are in inches.



Drawing 2A-Footprint

80-GALLON TANK Tank must be ordered separately

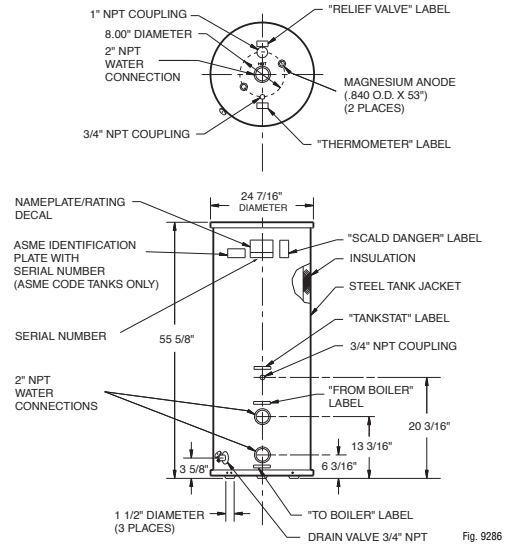


Fig. 9286

| TANK SIZE (GALLONS) | TYPE | SHIPPING WEIGHT (LBS) |
|---------------------|----------|-----------------------|
| 80 | CODE | 255 |
| 80 | NON-CODE | 198 |

| REF DWG | MODEL SIZE | INPUT (MBTUH) | IN-DOOR | OUT-DOOR | RECOVERY ΔT=100° F (GPH)** | WIDTH A | HEIGHT C | GAS CONN. G | WATER CONN. H | J | FLUE DIA. K | L | FOOT-PRINT X | SHIPPING WEIGHT (LBS) | MINIMUM CLEARANCE FROM COMBUSTIBLE MATERIALS | | | | | |
|---------|------------|---------------|---------|----------|----------------------------|---------|----------|-------------|---------------|--------|-------------|-------|--------------|-----------------------|--|----------|---------------------------------|------------|--------------|------|
| | | | | | | | | | | | | | | | FLOOR | FRONT | RIGHT REAR LEFT SIDE RIGHT SIDE | INDOOR TOP | OUTDOOR TOP | VENT |
| 1 | WH-90 | 90 | • | | 90 | 11 | - | 1/2 | 1 | - | 5 | 5 3/4 | 47 | 105 | COMBUSTIBLE | SEE NOTE | 6 | 16 | N/A | 6 |
| | WH-135 | 135 | • | | 132 | 18 | - | 1/2 | 1 1/4 | - | 6 | 6 1/4 | 50 1/4 | 135 | COMBUSTIBLE | SEE NOTE | 6 | 16 | N/A | 6 |
| | WH-195 | 195 | • | | 192 | 18 | - | 1/2 | 1 1/4 | - | 7 | 6 1/4 | 50 1/4 | 140 | COMBUSTIBLE | SEE NOTE | 6 | 16 | N/A | 6 |
| 2 | WH-260 | 264 | • | • | 262 | 22 3/8 | 62 7/8 | 3/4 | 1 1/2 | 11 1/8 | 7 | - | 53 | 290 | COMBUSTIBLE* | SEE NOTE | 12 | 39 | UNOBSTRUCTED | 6 |
| | WH-330 | 334 | • | • | 332 | 25 3/4 | 63 3/4 | 3/4 | 1 1/2 | 10 3/4 | 8 | - | 56 1/2 | 390 | COMBUSTIBLE* | SEE NOTE | 12 | 39 | UNOBSTRUCTED | 6 |
| | WH-400 | 399 | • | • | 396 | 29 1/4 | 65 3/8 | 1 | 1 1/2 | 12 1/2 | 9 | - | 60 | 405 | COMBUSTIBLE* | SEE NOTE | 12 | 39 | UNOBSTRUCTED | 6 |

* Installation on combustible floor requires optional shield. ** Based on manufacturer's rating. Models available for use with either Natural Gas or Propane. A front clearance of at least 24 inches is recommended for adequate service of burner tray and controls. Ratings shown are for elevations up to 2,000 feet. Ratings should be reduced at the rate of 4% for each 1,000 feet above sea level.

