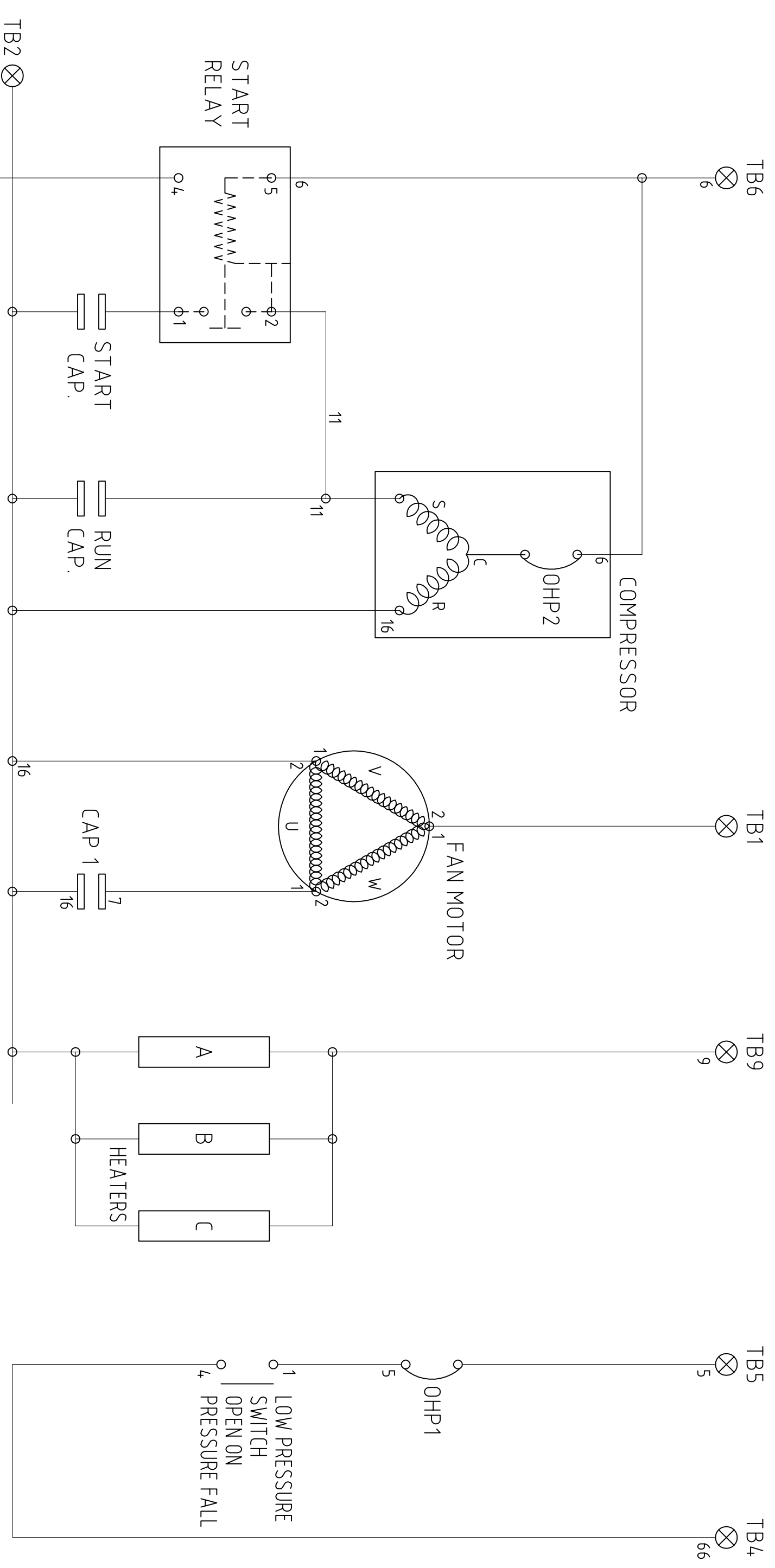


ISSUE	DATE	AMENDMENTS
1	22/02/96	ORIGINAL
2	21/10/15	RE-DRAWN - WDA



		BISHOP AUUCKLAND Co. DURHAM ENGLAND	
TITLE WIRING SCHEMATIC - MF2S 200/220V 50/60/HZ/1 PH		MATERIAL SEE DRW	
FINISH SEE DRW		DRG.NO. 5020234	
3RD ANGLE PROJECTION DO NOT SCALE IF IN DOUBT ASK		SHEET 1 OF 1	
DIMENSIONS IN m.m. TOLERANCES UNLESS OTHERWISE STATED 0.0 ± 0.25 0.00 ± 0.05 ANGULAR ± 0.5 DEGREE		DRAWN : W DAGLISH CAD SCALE : 1/1	