



300 PSI MISTING PUMP

Model 52300-KH

MISTING PUMP MANUAL

**INCLUDING: SPECIFICATION DATA, GENERAL SAFETY PRECAUTIONS, OPERATION,
INSTALLATION , PARTS, MAINTENANCE & WARRANTY**

QUALITY MISTING PUMPS

DIRECT DRIVE MISTING PUMP SPECIFICATIONS

PUMP MODELS	FLOW GPM	MAXIMUM PRESSURE	MOTOR HP	SINGLE PHASE VOLTAGE	MOTOR AMPS	MOTOR RPM	NOISE Db(A)	.008 NOZZLE CAPACITY	.012 NOZZLE CAPACITY
50300KH	1.0	300 PSI	.50	120	7.8	1725	59	70	45

FEATURES

- ROTARY PUMP
- ODP MOTOR
- FAN COOLED
- 5 MICRON FILTRATION
- INLET SOLENOID VALVE
- LIQUID FILLED PRESSURE GAUGE
- WEATHER RESISTANT
- POWDER COAT FINISH
- ON/OFF SWITCH

DIMENSIONS



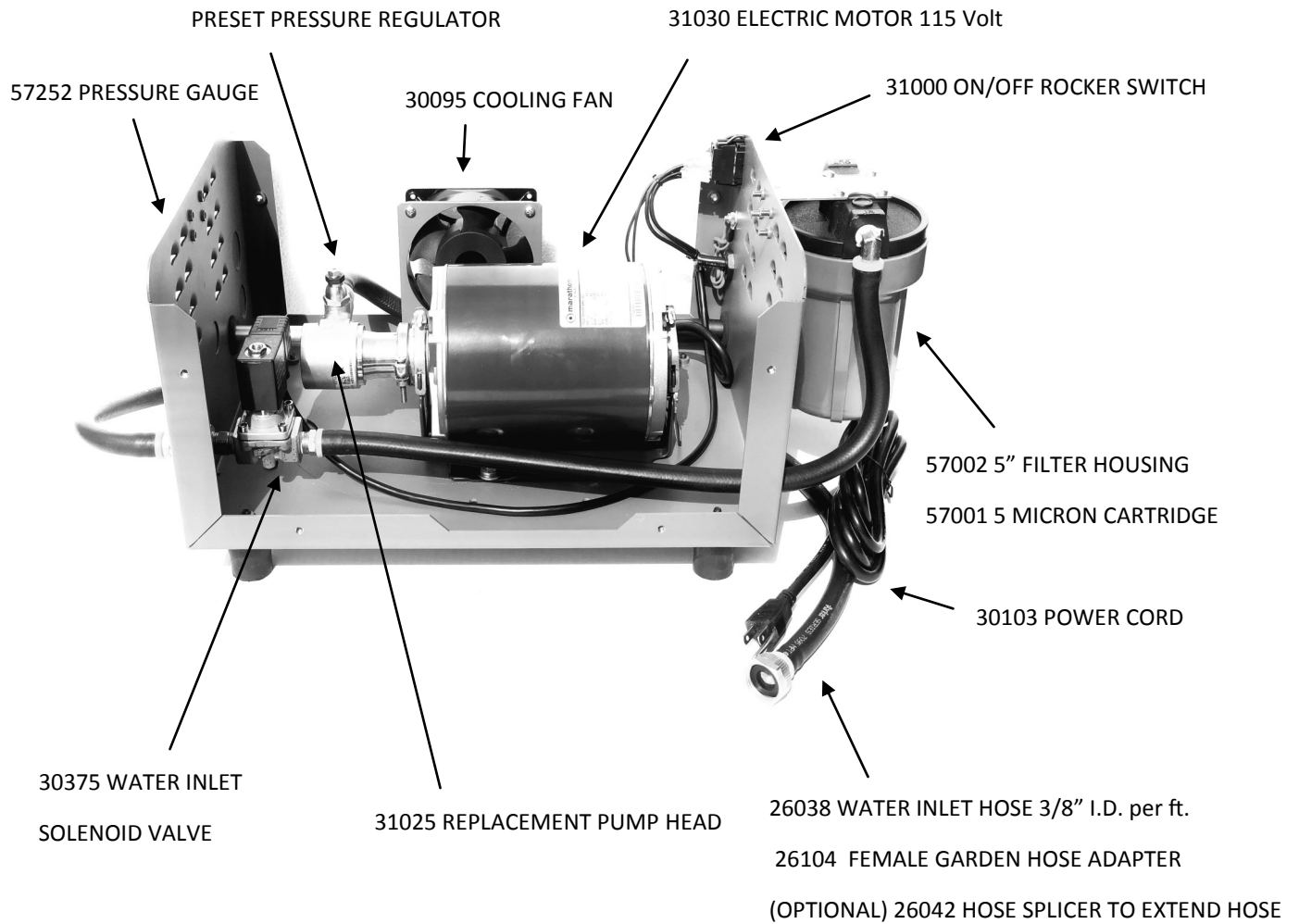
L 20 1/2" x W 13 1/2" x H 13 1/2"

TECHNICAL DATA

MAX. DISCHARGE PRESSURE	300 PSI
ELECTRIC MOTOR TYPE	ODP
MOTOR OVERLOAD	AUTOMATIC
FILTER	5- MICRON
INLET PSI RANGE	30-60 PSI
MAX LIQUID TEMPERATURE	140° F
WATER INLET VALVE	3/8" SOLENOID
PRESSURE GAUGE	0-600 PSI
SWITCH	ROCKER
6 FT. POWER CORD	SJTW-105C
SEALED BEARINGS	NO OIL REQUIRED



PUMP OVERVIEW



QUALITY MISTING PUMPS



GENERAL SAFETY PRECAUTIONS

⚠ WARNING CAN cause DEATH, SEVERE INJURY or substantial property damage.

⚠ CAUTION CAN cause MINOR INJURY or property damage.

GENERAL SAFETY PRECAUTIONS

Consequently, it is essential to comply with the instructions in this manual as well as local and national rules and safety regulations.

⚠ WARNING **HAZARDOUS VOLTAGE.** Can cause serious injury or death. Disconnect power before servicing pump. Pump must be connected to a properly grounded circuit. Do not operate pump in wet conditions.

⚠ WARNING **MOVING PARTS.** Pump may start automatically. Disconnect power, before servicing. Lockout/Tag out misting pump.

HOT SURFACES. Can cause serious injury. Do not touch. Allow to cool before servicing.

⚠ WARNING **HIGH PRESSURE WATER.** Bypassing, modifying or removing safety/relief regulator valves can cause serious injury or death. Do not bypass, modify or remove safety/relief valves. If a leak should occur shut unit off before attempting to tighten any fittings or tube repairs. Do not change any pressure settings above maximum rating. Maximum pressure is 300 PSI

⚠ CAUTION **RISK OF LEAKING or BURSTING.** Use only suitable tubing and fittings acceptable for pressure of not less than the maximum allowable working pressure of the pump. Remove water from lines and filter bowls during winter months to prevent freezing damage to pump or tubing.

⚠ CAUTION **Install pump in a suitable place to prevent property damage in the event a leak should occur.**

⚠ WARNING Electrical installation and service should be performed by a qualified electrician who is familiar with all applicable local, state and federal laws and regulations.

GENERAL. The motor rating, as shown on the motor nameplate, and the power supply must have compatible voltage, phase and hertz characteristics.

WIRE SIZE. The electrical wiring between the power supply and electric motor varies according to motor horsepower and other factors. Install adequately sized power leads to protect against excessive voltage drop during start-up. Refer to the National Electric Code (NEC) for information on selecting the proper wire size and securing electrical connections. If you connect additional electrical equipment to the same circuit, consider the total electrical load when selecting the proper wire size.

DO NOT UNDERSIZE WIRING. DO NOT USE EXTENSION CORDS.



OPERATION

The Aero Mist 300 PSI Pump takes ordinary city water pressure, which is normally about 50-70 PSI, and “boosts” it up to 300 PSI. The higher water pressure created by the pump enhances mist cooling and heat absorption in two ways. First, it produces a higher flow of water through the nozzle. More water being expelled from the nozzle means more cooling. Second, it creates a smaller finer mist droplet that allows the droplet to evaporate more quickly. Better evaporation means better cooling.

There are many applications for the 300 PSI Pump. Applications include patio cooling for homes and restaurants, greenhouses, humidification, dust control, odor control and many more.

Caution, Warning and Safety Instructions:

1. **Warning:** Before plugging in the unit for the first time, read the following section carefully. To reduce the risk of electric shock, plug in supplied grounded cord into a properly grounded receptacle. When servicing this unit, unplug power cord before attempting any service or repair.
2. **Outdoor use ONLY!** Not for indoor use.
3. **Install pump in a suitable place to prevent property damage, in the event that a leak should occur.**
4. Turn water off, and disconnect power to the unit when not in use for extended periods of time.
5. Do not place pump in damp or wet environments.
6. Feed system with potable cold water supply only. Do not connect pump to hot water supply.

Do not expose pump to freezing temperatures. When winterizing disconnect pump from power and water supply, and store in a dry safe place. Make sure all water is drained from the system to prevent damage in the event of a freeze.

INSTALLATION

1. Install pump above grade level on a pre-formed concrete pad (16” x 24”). This pump is non-submersible. Locate pump in a location where flooding and roof runoff does not occur to avoid water damage to the electric motor.
2. Verify water feed to pump location is potable cold water supply only.
3. Connect cold water feed to pump inlet and connect nylon tubing to pump outlet. **Important: Install 25 ft. or more of nylon tubing from the pump to the metal line to prevent line noise and vibration.**
4. Unit does not require any lubrication since this pump is water cooled and sealed bearings.
5. Plug pump into a properly grounded receptacle. Do not use extension cords!
6. On new misting systems, flush lines before installing nozzles. The pump will not build pressure until all of the nozzles are installed.
7. Do not exceed 300 PSI and do NOT run the pump without water.



MAINTENANCE & PARTS

Change water filter cartridge annually or as needed. (57001) 5 Micron Cartridge.

Winter shutdown:

Unplug pump power cord, shut off water supply, remove filter bowl and drain water. Drain water out of all lines using compressed air to prevent freeze damage.

57252 PRESSURE GAUGE
0-600 PSI



31004 TOGGLE SWITCH



52000-K Drain Valve Kit
(Optional: Installs at low point to nylon tubing)



30375 SOLENOID VALVE 3/8"



57001 5 MICRON FILTER
CARTRIDGE 5"



66400K LOW WATER PRESSURE
CUT-OUT SWITCH KIT
(Optional: Protects pump from running dry)





WARRANTY

Warranty and Statement

Aero Mist, Inc. warrants to its customers that Aero Mist products, excluding nozzles, to be free of defects in materials and workmanship for a period of (1) year from the date of purchase to the original purchaser. With customers proof of receipt Aero Mist, Inc. will fix or replace the defective part or parts. Aero Mist, Inc. reserves the right to inspect the defective part or parts prior to replacement. Aero Mist, Inc. will not be responsible for consequential or incidental cost or damage caused by the product failure. Aero Mist, Inc., liability under this warranty is limited solely to the replacement or repair of defective parts.

Neither this warrant nor any implied warranty applies to damage or harm caused by any or all of the following:

1. Freight damage
2. Damage cause from freezing, fire, natural disaster, improper installation, chemicals, unusual characteristics of water supply.
3. Damage caused by parts, accessories, or components not obtained from or approved by Aero Mist, Inc.
4. Damage due to misapplication and/or misuse.
5. Normal wear of moving parts or components affected by moving parts
6. Use with flammable materials is forbidden.

The liability of Aero Mist, Inc. under the foregoing warranty is limited to the repair or replacement at the discretion of Aero Mist, Inc. The return of the entire pump or other product to Aero Mist Inc. factory must be within the warranty period, at the sole expense of the purchaser. Upon examination the returned product will be deemed to have been defective in material or workmanship.

AERO MIST, INC., expressly warrants its pumps and other products as above stated. There are no other express warranties. Any implied warranties including implied warranty of merchantability or of fitness for a particular purpose are limited in duration to one year from the date of purchase by the original purchaser except in states that do not allow time limitations on implied warranties. There is no implied warranty of fitness for a particular purpose or merchantability when this product is put to an industrial, commercial or rental use.

No person including any dealer or representative of Aero Mist, Inc. is authorized to make any representation or warranty concerning Aero Mist, Inc. products on behalf of Aero Mist, Inc. or to assume for Aero Mist, Inc. the obligations contained in the warranty. Aero Mist, Inc. reserves the right to install the same upon its existing products or products then in process or manufacture. This warranty gives you specific legal rights, and you may also have other rights, which vary from state to state.

Aero Mist, Inc.

22832 N. 19th Ave Phoenix, AZ 85027

623-444-5121

www.aeromist.com

info@aeromist.com

