

Instant Comfort...Endless Savings

ELECTRIC TANKLESS WATER HEATERS

9/06

MODELS:

Plumbing Orientation	Model	Spec Options	Volts	kW	Amps
SP,EX	35	SL,FC	240V*	3.5kW	15A
SP,EX	48	SL,FC	240V*	4.8kW	20A
SP,EX	55	SL,DL,FC	240V*	5.5kW	23A
SP,EX	65	SL,DL,FC	240V*	6.5kW	27A
SP,EX	75	SL,DL,FC	240V*	7.5kW	32A
SP,EX	95	DL,FC	240V*	9.5kW	40A
SP,EX	8208	DL,FC	208V	8.3kW	40A
SP,EX	60	SL,DL,FC	277V	6.0kW	22A
SP,EX	80	DL,FC	277V	8.0kW	29A
SP,EX	90	DL,FC	277V	9.0kW	33A
SP,EX	100	DL,FC	277V	10.0kW	36A

*Units can be used at 208V with 25% reduced output.

SPECIFICATION OPTIONS:

- SL = Single Lav - 3/8" Adaptor supplied, in line flow restrictor available. Specify flow rate (.5 GPM to 1 GPM)
 - DL = Dual Faucet - two faucet aerators provided (EX61 .5 GPM or 1 GPM)
 - FC = Flex Connector - braided stainless steel water connections
- Plumbing Orientation:
- SP = Top water connections
1/2" (5/8"OD) compression fittings
 - EX = Bottom water connections
1/2" (5/8"OD) compressions fittings

APPLICATIONS:

- Kitchen Sinks
- Bar Sinks
- Utility Sinks
- Manufacturing Facilities
- Modular Buildings and Tenant Spaces
- Dual Handwash Sinks (DL)
- Hand Set Shower (0.7-2.0 GPM)



Pictured, EX: Bottom Water Connections



Low Volume Hand Shower (.7 GPM - 2 GPM)



Multiple Sinks



Kitchen Sink

MADE IN USA



ADVANCED TECHNOLOGY • HIGHEST EFFICIENCY • DESIGNED FOR DURABILITY

QUALITY FEATURES

- **On Demand Hot Water** - no delay.
- **Cut Energy Waste** - flow switch activates heater only on demand (no standby heat loss). **99% efficient**
- **Endless Hot Water** - no storage capacity to run out.
- **Reduces Installation Cost and Material** - no T & P relief valve needed (check local codes).
- **Optional Flow Restricting Aerator** - ensures proper temperature rise. (specify flow 0.5 GPM - 2.0 GPM)
- **Easy Installation** - only one cold water line need be brought to installation - integral 1/2" pipe compression fittings (5/8" OD) at bottom of unit (no sweat connections). Mounts on wall. 3/8" compression fittings available. Note: SL
- **Hands Free Sensor and Metering Faucet Compatible**
- **Prevents Legionella Bacteria Growth**
- **Reduces Calcification, Liming and Sedimentation**
- **Complies with Handicap Requirements**
- **Ni Chrome Element** - a unique, patented flow path ensures optimum heat transfer and extended element life.
- **Field Serviceable Element** - replaceable cartridge element (1 year warranty).
- **Compact Size** - dimensions 10.75"x5.25"x2.78"; weight 3 lbs.
- **Warranty** - Full Factory Warranty - Heaters are guaranteed against failure due to leaks of "Heater Body/Element Assembly" for a period of FIVE YEARS.
- **High Temperature Limit Switch** - protects against element burn out, with reset button

SUGGESTED SPECIFICATION

Tankless Water Heater shall be an Eemax Model _____ with _____ vac, _____ model # _____ kW rating _____ voltage _____ amperage to heat _____ GPM @ a temperature rise of _____ degrees F. Unit shall have ABS-UL 94Vo rated cover. Element shall be replaceable cartridge insert. Unit shall have replaceable filter in the inlet connector. Element shall be iron free, nickel chrome material. Heater shall be fitted with 1/2" compression nuts (5/8"OD), to eliminate need for soldering. Maximum operating pressure of 150 PSI. Hot water storage tanks prohibited. Unit shall be Eemax or approved equal.

NOTE: Refer to rating chart for product information.

SPECIFICATION OPTIONS

- Model: SL = (Single Lav.)- 3/8" adapter supplied
In line flow restrictor available
Specify flow rate (.5 GPM to 1 GPM)
Example: EX55SL
- DL = (Dual Lavs)-supplied with two faucet aerators
Example: EX55DL, EX61 1 GPM or .5 GPM
- FC = (Flex Connector) - Steel braided flex connector. Example: EX55FC176
3/8" C x 1/2" FIP - 16" faucet supply (EX176)
or
3/8" C x 3/8" C - 16" faucet supply (EX177)
- Plumbing Orientation: SP = Top water connections
1/2" (5/8"OD) compression fittings
 EX = Bottom water connections
1/2" (5/8"OD) compressions fittings

RATINGS OF "FLOW CONTROLLED" MODELS { Cold water feed only }

PLUMBING ORIENTATION	MODEL	OPTIONS	VOLTS	kW	AMPS	TEMPERATURE RISE °F					RECOMMENDED WIRE SIZE
						0.5 GPM	0.75 GPM	1.0 GPM	1.5 GPM	2.0 GPM	
SP,EX	35	SL,FC	240V*	3.5kW	15A	48°	32°	24°	-	-	14AWG
SP,EX	48	SL,DL,FC	240V*	4.8kW	20A	65°	44°	32°	21°	16°	12AWG
SP,EX	55	SL,DL,FC	240V*	5.5kW	23A	75°	50°	38°	25°	19°	10AWG
SP,EX	65	SL,DL,FC	240V*	6.5kW	27A	89°	59°	44°	30°	22°	10AWG
SP,EX	75	SL,DL,FC	240V*	7.5kW	32A	-	68°	51°	34°	26°	8AWG
SP,EX	95	DL,FC	240V*	9.5kW	40A	-	87°	65°	43°	32°	8AWG
SP,EX	8208	DL,FC	208V	8.3kW	40A	-	76°	57°	38°	28°	8AWG
SP,EX	60	SL,DL,FC	277V	6.0kW	22A	82°	55°	41°	27°	20°	10AWG
SP,EX	80	DL,FC	277V	8.0kW	29A	-	73°	55°	36°	27°	10AWG
SP,EX	90	DL,FC	277V	9.0kW	33A	-	82°	61°	41°	31°	8AWG
SP,EX	100	DL,FC	277V	10.kW	36A	-	91°	68°	46°	34°	8AWG

* Units can be used at 208V with 25% reduced output and amperage.

SPECIFICATIONS:

Dimensions: 10.75" x 5.25" x 2.78"

Weight: 3 lbs.

Cover: ABS UL rated 94Vo.

Color: White

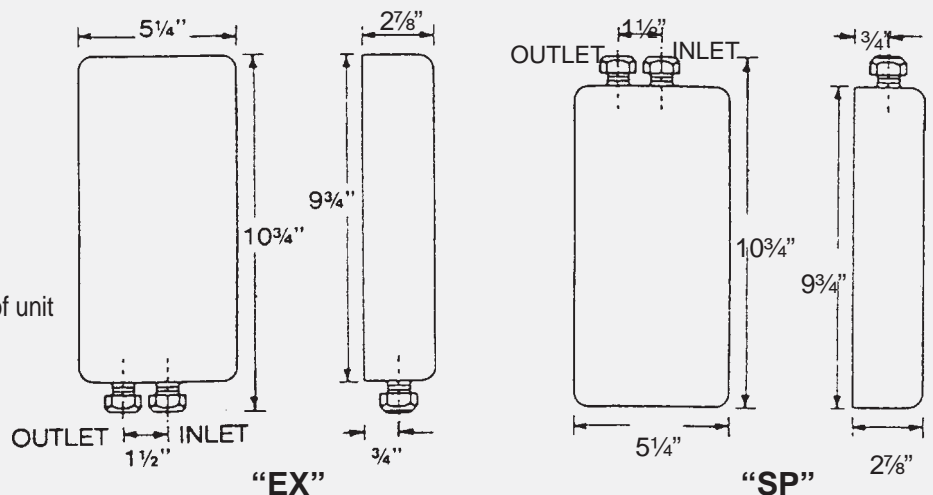
Element: Replaceable cartridge insert

Fittings: 1/2" pipe (5/8"OD) compression at bottom of unit or 3/8" compression (SL)

Operating Pressure: min 25 PSI, max 150 PSI

UL Listed: E86887 (M)

U.S. Patent #'s: 4,762,980 and 4,960,976



**SPECIAL
DESIGN
SERVICE**

INQUIRIES FOR UNITS FOR UNIQUE APPLICATIONS ARE WELCOME. CALL OUR TECHNICAL SERVICE DEPT. 1-800-543-6163

EEMAX SUBMITTAL

Engineer/Architect: _____
 Job Name/Customer: _____
 Location: _____
 Contractor: _____
 Representative: _____
 HEATER SPECIFICATIONS:

Option	Quantity	kW	Voltage	AMPS	GPM
EX Model # EX _____	_____	_____	_____	_____	_____

Eemax® Inc.

353 Christian St., Oxford, Ct 06478

www.eemax.com

Telephone: (203) 267-7890

Toll Free: 1-800-543-6163

Fax: (203) 267-7975